



Exceptional productivity

- Working height up to 13.8m
- Driveable at full height
- Load capacity: 350 kg
- Robust, reliable, easy to maintain
- Extended platform
- Long working cycles

Optimum compactness

- 1.2m width
- Folding guardrails





COMPACT 14

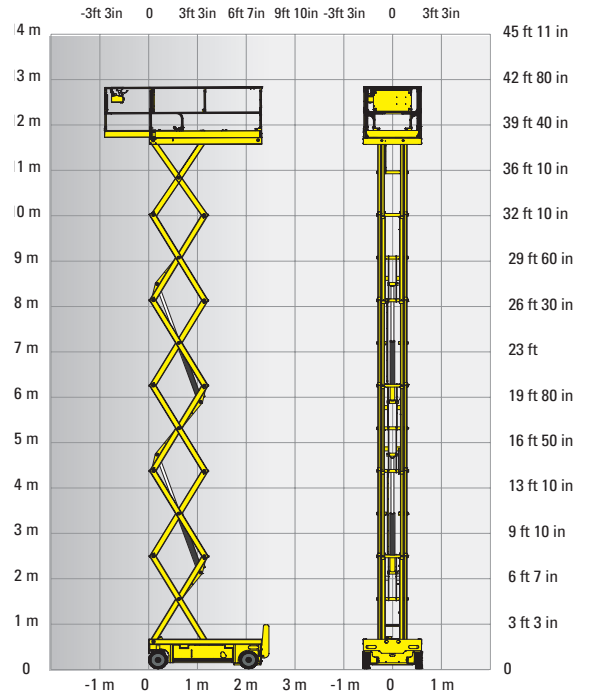
ELECTRIC SCISSOR LIFTS

350 kg / 770 lbs / 3x

TECHNICAL DATA

COMPACT 14

| | |
|--|---------------------|
| Working height | 13.85 m |
| Platform height | 11.85 m |
| Lift capacity | 350 kg |
| A Platform length - outside | 2.31 m |
| Platform length - extended | 3.23 m |
| Length - extension | 0.92 m |
| Platform width - outside | 1.2 m |
| D Storage height | 2.08 m |
| C Height - stowed | 2.5 m |
| B Overall width | 1.2 m |
| E Length | 2.49 m |
| F Wheelbase | 1.86 m |
| G Ground clearance - Center | 13 cm |
| Ground clearance - Pothole guards deployed | 2.3 cm |
| Drive speed | 0.9 - 2.7 km/h |
| Driveable at full height up to | 11.85 m |
| Gradeability | 23 % |
| Tilt | 2° / 3° |
| Lift / lower speed | 61 s / 50 s |
| Turning radius - outside | 2.38 m |
| Non-marking tires | 15 x 5 |
| Batteries | 24 V - 340 Ah (C20) |
| Hydraulic system capacity | 25 l |
| Weight | 3 175 kg |

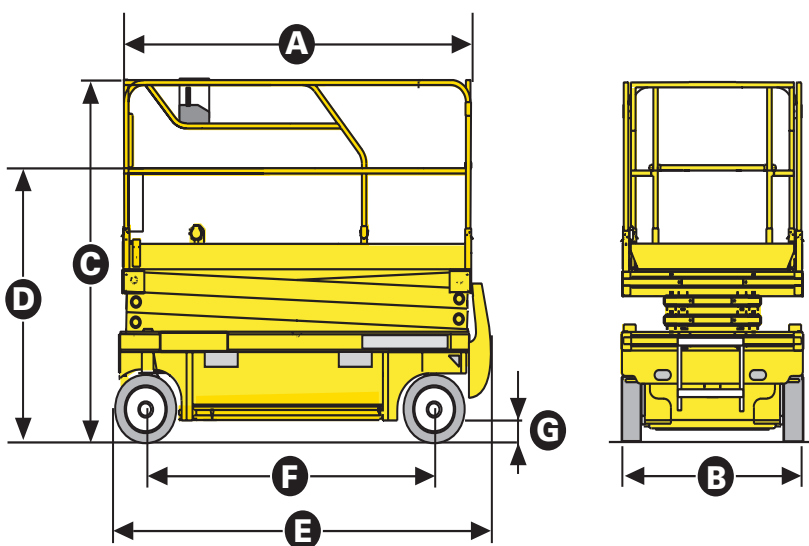


STANDARD EQUIPMENT

- Pothole guards
- Battery charge indicator
- Proportional lift and drive
- Removable control box in platform
- Swing out component tray
- Battery charger with automatic stop
- Solid non-marking tyres
- Brake release
- Tilt controller
- Load Management System in the platform
- Manual platform lowering valve
- Integrated forklift pockets
- Towing hooks
- Horn
- Hourmeter

OPTIONS AND ACCESSORIES

- Flashing light
- Travel alarm
- Working light
- Power to platform
- Biodegradable hydraulic oil
- Centralised battery filling



2420341070 - We reserve the right to modify the technical characteristics of this document without notice - 03/2014

